

Bike holder with three-point-support for mounting stand

Ref.no. 589 4726

Translation of the original manual

Issued: 07 / 2010



Keep this manual for future reference!

Manufacturer: Weilnhammer Maschinenbau GmbH
84405 Dorfen

Table of contents

	page
1. General information, correct use	2
2. Safety instructions	2
3. Technical data	3
4. Operating elements	3
5. Handling	3
6. Maintenance	5
7. Waste disposal	5
8. Spare parts list	6

1. General information, correct use

The bike holder (with three-point-support) for mounting stand is designed to secure bicycle frames including pressure-sensitive carbon or aluminium frames in order to swivel them into an ergonomic working position. To this end, the bike holder (with three-point-support) is fastened to traditional mounting stands using the clamping system of these stands. With its three adjustable carrying rollers or mandrels (optional), the holder can secure bicycle frames without looseness.

2. Safety instructions



Caution!

Make sure that the bike holder (with three-point-support) is correctly seated on the existing mounting stand! Risk of injury and material damage!



Caution

Make sure that the bicycle frame is correctly seated on the three carrying rollers. It may fall down and be damaged!

- In case of heavy electric bicycles, first hang the handlebar onto the front carrying roller, then lift the back side of the bike and fasten it onto the second carrying roller.
- This manual explains the correct handling of the device. It should be studied before the device is used for the first time, and be read regularly when the device and its accessories are used.
- Besides the explanations and safety instructions in this manual, the user must take account of the precautions relating to the use of all technical devices.
- Always keep the user's manual accessible to the operators.
- Whenever the device is sold again, pass this manual on to the new owner.
- Observe the relevant regulations for the prevention of accidents.
- We reserve the right to carry out modifications which we consider to be technically advantageous.

3. Technical data

Front-to-back size 105 mm x width 640 mm x height 700 mm

Weight: 4 Kg

Max. load bearing capacity: 35 Kg (350N) (depending on the strength of the fastening system on the respective mounting stand)

4. Operating elements

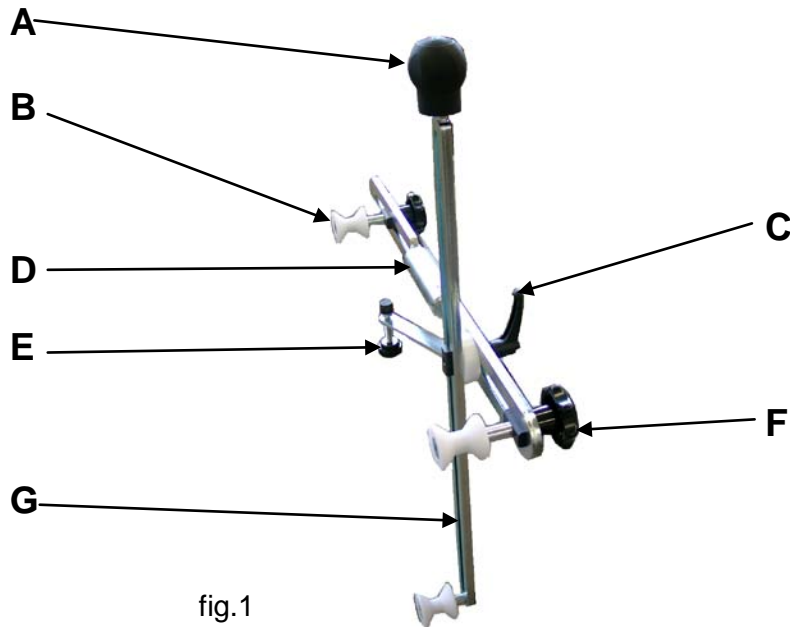


fig.1

Pos.	Description
A	Ball handle
B	Carrying roller
C	Clamping lever (for lifting and lowering)
D	Adapter for clamps on mounting stand
E	Support
F	Star knob (for securing the carrying roller)
G	Vertical frame

5. Handling

- Roughly pre-adjust the support. To this end, push the right carrying roller outwards to the right as far as possible, then lock it with the star knob. (fig.2)



fig.2

- Lift the bicycle and hang it onto the three-point-support.
- Shift the second carrying roller outwards into the appropriate position, then lock it with the star knob so as to secure the bicycle frame. (fig.3)



fig.3

Fit the lower carrying roller into the angle between the seat tube and the down tube. Correctly lock the clamping lever for carrying roller. (fig.4+5)



fig.4



fig.5

- In order to handle bulky frames (step-through frame, double tubes etc.) that cannot be secured with the carrying rollers, the carrying roller can be exchanged for the rubber-lagged universal holding pin. (option: set of three pcs, ref.no. 589 4739)
- To this end, loosen the star knob, then exchange the carrying roller for the universal holding pin. (fig.8+9)

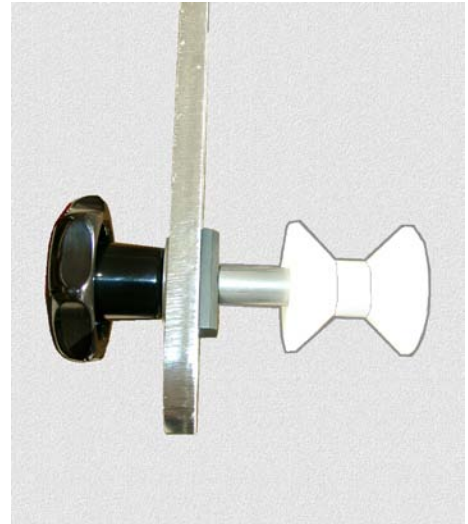


fig.8



fig.9

6. Maintenance

- Regularly clean off dirt and dust from the device.
- Occasionally lubricate moving parts with universal grease.
- Once a year, make sure that the M10 lock nut of the swivelling mechanism is seated correctly.

7. Waste disposal

Carrying rollers = plastic POM
Clamping lever + ball handle = plastic PA and / or PP
Further parts = steel scrap

8. Spare parts list

Pos.	Ref.no.	Description
01	WH 9720	Support
02	WH 9707	Spacer Ø50 x 15
03	WH 9704	Star knob DIN 6336 – Ø63 – M10
04	WH 9702	Vertical frame
05	WH 9703	Ball handle Ø50 – M8 x 20
06	WH 9711	Long groove nut – size 12 / M10
07	WH 9710	Spacer Ø14 x 1,8 x 27 mm
08	WH 9712	Carrying roller Ø49 x 45
09	WH 9709	Carrying roller Ø46 x 45 mm
10	WH 3564	Counter sunk screw DIN 7991 – M 10 x 100
11	WH 9708	Long groove nut – Gr. 10 / M8
12	WH 9713	Spacer Ø14 x 1,8 x 12 mm
13	WH 3553	Counter sunk screw DIN 7991 – M 10 x 70
14	WH 9706	Clamping lever GN 603 – M8 x 40
15	WH 1476	Washer DIN 440 – R 9
16	WH 9721	Swivelling link 20 x 5 x 140 mm
17	WH 9722	Knurled nut GN 530 – M8
18	WH 9723	Spacer Ø20 x 20 mm
19	WH 9724	Rubber buffer Ø15 x H13
20	WH 9725	Hexagon head cap screw M8 x 50 with inside thread M3
21	WH 2678	Lock nut DIN 985 – M8

The parts marked with an asterisk *) are wear parts for which no liability based on any legal regulations whatsoever can be accepted.

